

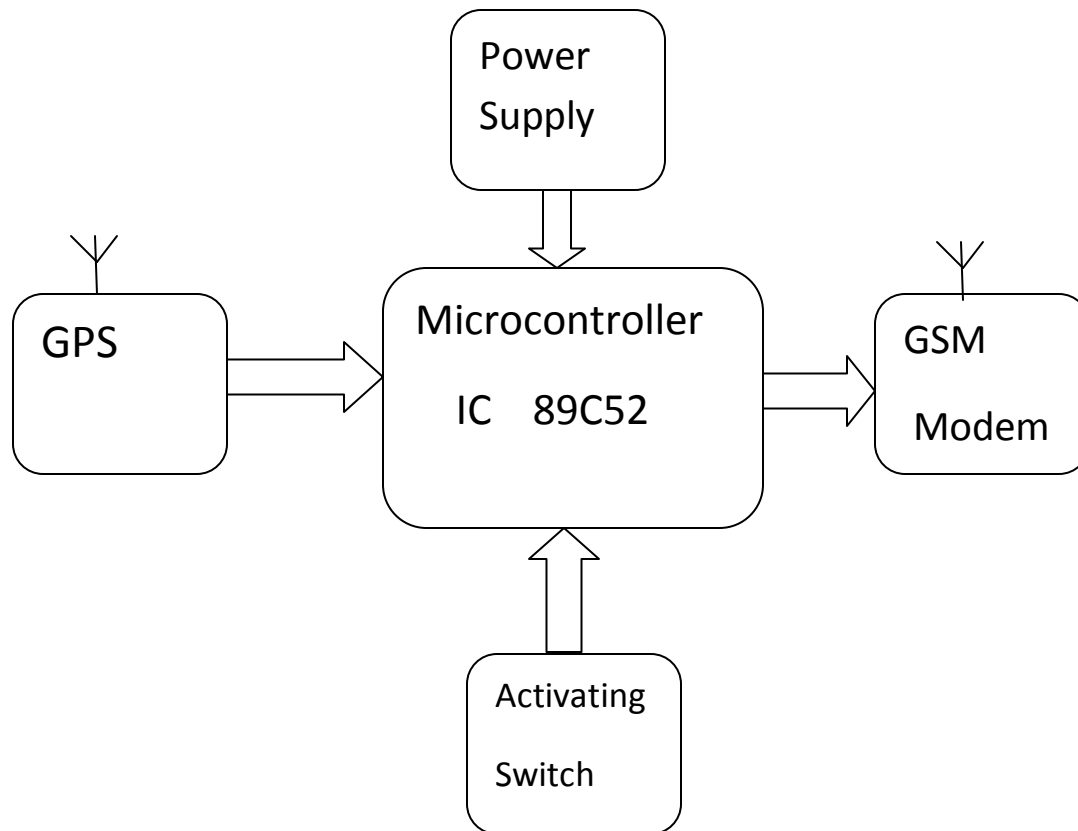
Gadget for security of Girls

ABSTRACT

Today in the current global scenario, the prime question in every girl's mind, taking into account the ever rising increase of issues on women harassment in recent past, is only about her safety and security. The only thought haunting every girl is when they will be able to move freely on the streets even in odd hours without worrying about their security. This project suggests a new perspective to use technology to protect women. The system resembles a normal gadget which when activated, tracks the location of the victim using GPS (Global Positioning System) and sends emergency messages using GSM (Global System for Mobile communication), to three emergency contacts and the police control room. The main advantage of this system is that the user does not require a Smartphone unlike other applications that have been developed earlier. The use of sophisticated components ensures accuracy and makes it reliable. The gadget provides with all the features which will leave no stone unturned to help the victim in any kind of emergency situations.

This project focuses on a security system that is designed solely to serve the purpose of providing security to women so that they never feel helpless while facing such social challenges. The system consists of various modules such as GSM modem, microcontroller board, GPS, activating switch and power supply unit. The Delhi Nirbhaya case that triggered the whole nation was the greatest motivation for this system. It was high time all women needed a change.

BLOCK DIAGRAM:



Working:

The system are having following units

Microcontroller, GPS module, GSM Modem, Activating switch and power supply.

Microcontroller 89c52 is the main controlling unit of the system, in which program will be store. When girl press the activating switch microcontroller take the data from GPS module which is equivalent to the position and place of girl. The place information of girl will be send to her parents and police through sms. After the sms the system call particular authenticate person. For sms and calling GSM modem is used which work on AT commands. This AT commands are control by Microcontroller.

After getting call and sms emergency actions must be taken and emergency services will be provided to girl. And girl can be saved from danger.